



Selection: Semi-hermetic Reciprocating Compressors

Input Values

Compressor model Mode	(6H-35.2Y) Refrigeration and Air conditioning	Suction gas temperature Operating mode	20,00 °C Auto
Refrigerant	R404A	Power supply	400V-3-50Hz
Reference temperature	Dew point temp.	Capacity control	100%
Liq. subc. (in condenser)	0 K	Useful superheat	100%

Result

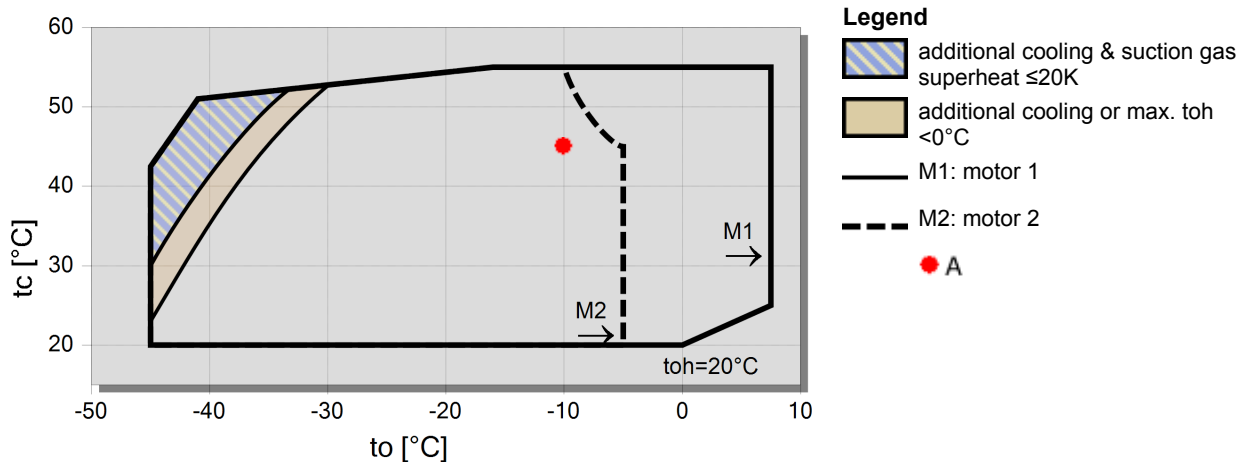
Q [W]	Cooling capacity	COP [-]	COP/EER
Qu* [W]	Evaporator capacity	m [kg/h]	Mass flow
P [kW]	Power input	Op.	Operating mode
I [A]	Current	th [°C]	Discharge gas temp. w/o cooling
Qc [W]	Condenser capacity		

tc	to	10°C	0°C	-10°C	-20°C	-30°C	-40°C	-50°C	-60°C
30°C	Q [W]	--	104510	71642	47007	28829	15719	--	--
	Qu* [W]	--	104510	71642	47007	28829	15719	--	--
	P [kW]	--	24,1	21,8	18,64	14,91	10,81	--	--
	I [A]	--	43,3	40,1	35,8	31,1	26,7	--	--
	Qc [W]	--	128582	93414	65646	43736	26529	--	--
	COP [-]	--	4,34	3,29	2,52	1,93	1,45	--	--
	m [kg/h]	--	2657	1782	1151	698	378	--	--
	Op.	--	Standard	Standard	Standard	Standard	Standard	--	--
	th [°C]	--	64,0	77,2	92,4	111,0	135,8	--	--
40°C	Q [W]	--	89253	60906	39580	23828	12484	--	--
	Qu* [W]	--	89253	60906	39580	23828	12484	--	--
	P [kW]	--	27,8	24,3	20,1	15,53	10,71	--	--
	I [A]	--	48,8	43,7	37,8	31,8	26,6	--	--
	Qc [W]	--	117041	85212	59725	39362	23196	--	--
	COP [-]	--	3,21	2,51	1,96	1,53	1,17	--	--
	m [kg/h]	--	2560	1705	1089	648	336	--	--
	Op.	--	Standard	Standard	Standard	Standard	Standard	--	--
	th [°C]	--	74,6	88,0	103,5	122,6	0	--	--
50°C	Q [W]	--	74139	50362	32409	19157	9670	--	--
	Qu* [W]	--	74139	50362	32409	19157	9670	--	--
	P [kW]	--	31,2	26,6	21,4	15,96	10,45	--	--
	I [A]	--	53,9	47,0	39,6	32,4	26,3	--	--
	Qc [W]	--	105333	76929	53821	35121	20123	--	--
	COP [-]	--	2,38	1,90	1,51	1,20	0,93	--	--
	m [kg/h]	--	2469	1631	1028	599	300	--	--
	Op.	--	Standard	Standard	Standard	Standard	Standard	--	--
	th [°C]	--	85,5	99,0	114,8	134,3	0	--	--

-- No calculation possible (see message in single point selection)

*According to EN12900 (20°C suction gas temp., 0K liquid subcooling)

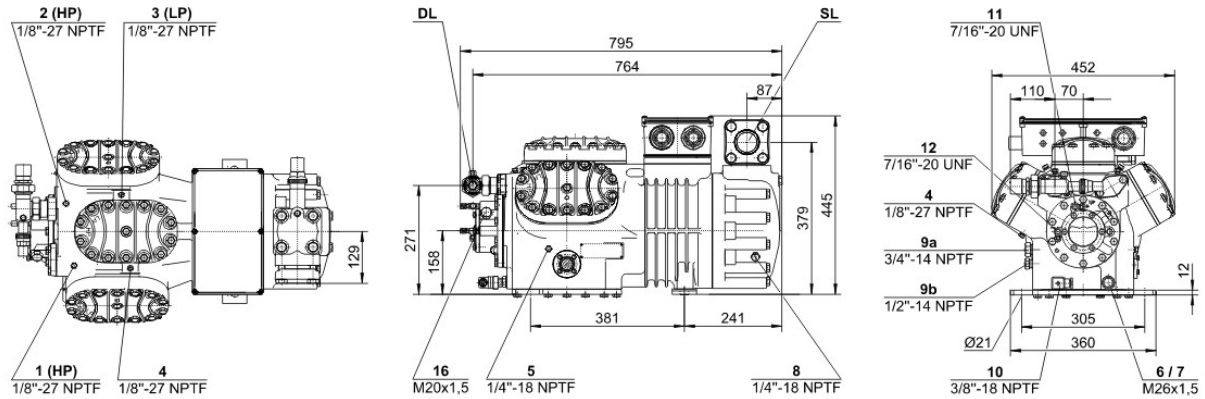
Application Limits 100% 6H-35.2





Technical Data: (6H-35.2Y)

Dimensions and Connections



Technical Data

Technical Data

Displacement (1450 RPM 50Hz)	110,5 m ³ /h
Displacement (1750 RPM 60Hz)	133,4 m ³ /h
No. of cylinder x bore x stroke	6 x 70 mm x 55 mm
Weight	235 kg
Max. pressure (LP/HP)	19 / 28 bar
Connection suction line	54 mm - 2 1/8"
Connection discharge line	35 mm - 1 3/8"
Connection cooling water	R 3/4"
Oil type R134a/R407C/R404A/R507A/R407A/R407F	tc<55°C: BSE32 tc>55°C: BSE55 (Option)
Oil type R22 (R12/R502)	B5.2 (Standard)
Oil type R290/R1270	SHC226E (Standard)

Motor data

Motor voltage (more on request)	380-420V PW-3-50Hz
Max operating current	61.0 A
Winding ratio	50/50
Starting current (Rotor locked)	147.0 A Y / 262.0 A YY
Max. Power input	37,4 kW

Extent of delivery (Standard)

Motor protection	SE-B2
Enclosure class	IP54 (Standard), IP66 (Option)
Vibration dampers	Standard
Oil charge	4,75 dm ³

Available Options

Connection suction line	Option
Discharge shut-off valve	Option
Discharge gas temperature sensor	Option
Start unloading	Option
Capacity control	100-66-33% (Option)
Additional fan	Option
Water-cooled cylinder heads	Option
Oil service valve	Option
Crankcase heater	140 W (Option)
Oil pressure monitoring	MP54 (Option), Delta-PII (Option, not for R290/R1270)

Sound measurement

Sound power level (+5°C / 50°C)	81,5 dB(A) @ 50Hz
Sound power level (-10°C / 45°C)	82,0 dB(A) @ 50Hz
Sound power level (-35°C / 40°C)	(90,5) dB(A) @ 50Hz
Sound pressure level @ 1m (+5°C / 50°C)	73,5 dB(A) @ 50Hz
Sound pressure level @ 1m (-10°C / 45°C)	74,0 dB(A) @ 50Hz
Sound pressure level @ 1m (-35°C / 40°C)	(82,5) dB(A) @ 50Hz